

JACKSON SAFETY* Welding Helmets

WH10-WH30 Welding Helmets



JACKSON SAFETY* Welding Helmets

WH10-WH30 Welding Helmets

JACKSON SAFETY* welding helmets, in combination with an appropriate welding filter, constitute the complete PPE solution for protection to eyes, face and head against the multiple hazards encountered during welding related tasks. KIMBERLY-CLARK PROFESSIONAL* offers a wide range of welding helmets to cover the most demanding welding, grinding and torch cutting applications for all levels of professional expertise. JACKSON SAFETY* branded welding helmets are logically classified by performance level for easier selection. They are available in a selection of ready-to-use solutions or sold separately for the user to make an informed choice from a range of components available for each product family.

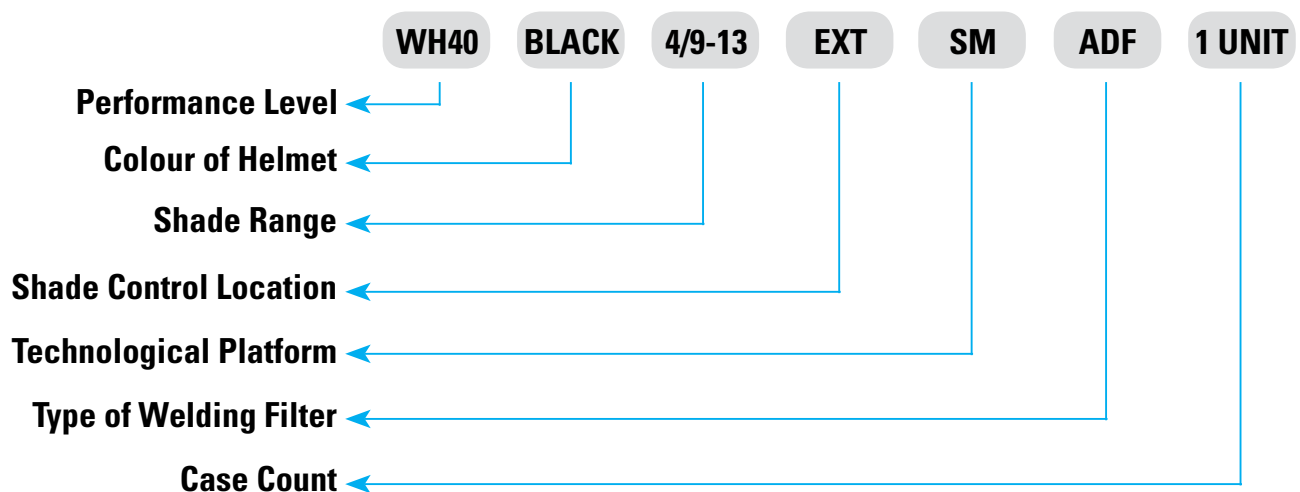


All JACKSON SAFETY* branded helmets are CE marked and comply with the European requirements according to the EU Directive 89/686/EEC for PPE.

The following EN standards are applicable: DIN EN 175:1997-08, DIN EN 166:2002-04; DIN EN 169:2003-02 (for selected helmets provided with a mineral glass) and DIN EN 379:2009-07 (for selected helmets provided with an ADF)

A range of spare parts for consumable components is available per product family for the user to prolong the life of the welding helmet at optimum performance conditions. JACKSON SAFETY* branded welding helmets are provided with a 1.5 year manufacturer warranty

Welding Helmet Product Names Explained



JACKSON SAFETY* Welding Helmets

WH30 Welding Helmets

WH30 Welding Helmets

The WH30 Element is a complete family of value helmet solutions for welding activities for the professional welder.



WH30 Element Welding Helmet Black 4/9 - 13 EXT



- Robust - low weight solution for the most demanding tasks
- Fitted with a TN technology based 4/9-13 ADF with external shade control and a screw-in lens retainer system for a more secure fastening
- Available in matt black, with a wide range of spare parts available for extended lifetime
- External control allows shade adjustment during the welding task

JACKSON SAFETY* WH30 Element Welding Helmet Black 4/9 -13 EXT

Code

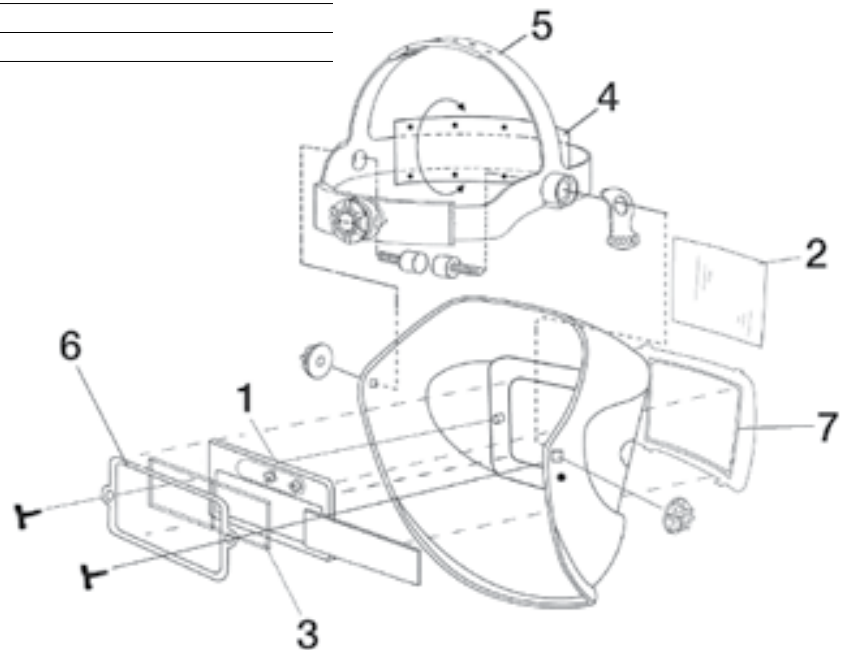
Packing

J8027

1 x  1 

Spare Parts Available

2	J8301 W	H30 Outer Protective Lens 97 x 110mm
3	J8302 I	Inner Protective Lens 107 x 51mm (for J8028)
3	J8328 I	Inner Protective Lens 103.5 x 47mm (for J8027)
4	J8330 W	Welding Sweat Band
5	J8331	Basic Welding Head Gear
6	J8344 L	Lens Retainer TN Variable ADF
7	J8362	Front Frame Black



ADF Technological Platforms

Single or Dual Twisted Nematic

Twisted Nematic liquid crystal display molecules in the light state are parallel to the display's outer surfaces. When the high voltage pulse is applied the molecules rotate a full 90 degrees.

JACKSON SAFETY* Welding Helmets

WH10-WH20 Welding Helmets

WH20 Welding Helmets

WH20 economy welding helmets come fitted with the option of two different ADFs for increased safety, flexibility and productivity for the specialised welder.

WH20 Welding Helmet Black 4/9-13 EXT TN ADF



- Light weight durable economy welding solution
- Fitted with an variable shade ADF with a dark state range from DIN 9 to 13. Light state DIN 4
- Easy snap-in clip system to hold ADF and protective lens
- Ideal for the specialised welder in high productivity welding work environments

JACKSON SAFETY* WH20 Welding Helmet Black 4/9 -13 EXT TN ADF

Code

Packing

J8042

1 x  6 

WH10 Welding Helmets

WH10 economy welding helmets come fitted with a 90 x 110mm shade 11 (MG) Mineral Glass welding filter for the specialised welder.

WH10 Welding Helmet Black 90 x 110 MG



- Light weight durable economy welding solution
- Fitted with an easy snap-in clip system to hold mineral glass and protective lens
- Ideal for the specialised welder
- Other mineral glass shades from DIN 9 to 12 available

JACKSON SAFETY* WH10 Welding Helmet Black 90 x 110 MG

Code

Packing

J8033

1 x  6 

Spare Parts Available

1	J8181 W	F20 3/10 INT TN ADF
1	J8188 W	F20 3/11 INT TN ADF
1	J8189 W	F20 4/9-13 EXT TN ADF
2	J8331	Basic Welding Head Gear (upgraded)
3	J8360 W	Welding Sweat Band
3	J8330	Basic Welding Sweat Band (for upgraded J8331)
4	J8334	Outer Protective Cover Lens 110 x 97
5	J8339 W	H10, WH20 Front Frame
6	J8304 I	Inner Protective Lens 100 x 90 (J8033, J8060, J8031 only)
6	J8329 I	Inner Protective Lens 94 x 45 (J8042 only)

